



# METROSIL FOR HIGH IMPEDANCE RELAYS

## Maximum protection against internal fault conditions.

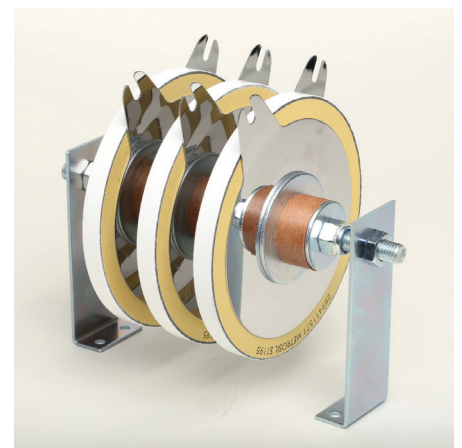
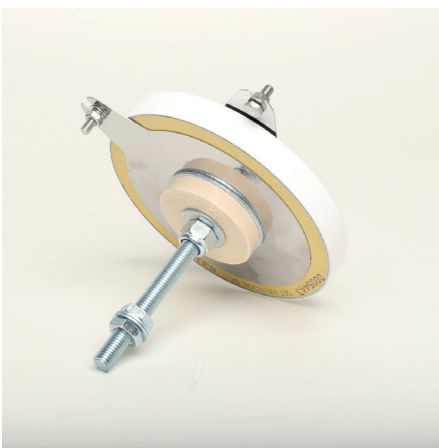
Traditional differential relay systems are used to protect individual pieces of plant. The relay measures the difference between the current entering and leaving the protected area. If the current is not equal, then a secondary current flows through the relay system, causing it to trip after a finite time. Due to the presence of a stabilising resistor, should a high current flow through the system, then high voltages could occur. To prevent damage to the relay and Current Transformer, Relay Metrosils are utilised to clamp this overvoltage.

### METROSIL FEATURES:

- Industry standard protection varistor for major OEMs
- Specialist materials to ensure superior longevity
- High energy varistor design
- Pre-assembled, simple to install

### METROSIL BENEFITS:

- Over 80 years' manufacturing experience
- Flexible designs customised to OEM requirements
- Exceptional safety record
- Reduces downtime

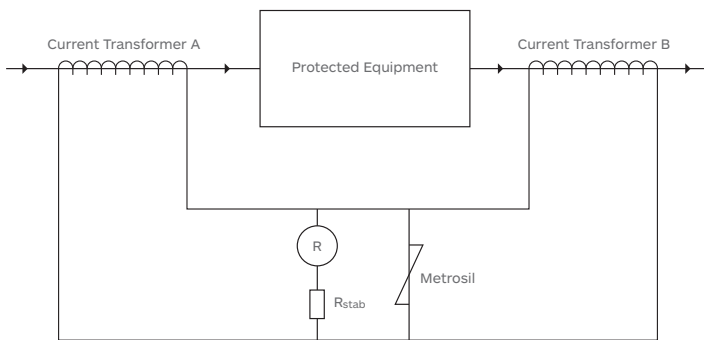


# RELAY DISCS SPECIFICATION

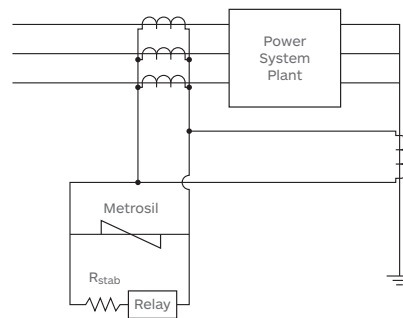
Recommended Relay Metrosils for Relays on 1A CTs			
Maximum Relay Setting Voltage Vrms	Maximum Internal Secondary Fault Current 50 A <sub>rms</sub>		
	Single Pole Relay		Triple Pole Relay
125	600-A/S1/256		600-A/S3/I/802
175			
185			
300	600-A/S1/1088		600-A/S3/I/1195
325			
400			
Recommended Relay Metrosils for Relays on 5A CTs			
Maximum Relay Setting Voltage Vrms	Maximum Internal Secondary Fault Current 50 A <sub>rms</sub>		
	50	100	150
200	600A/S1/1213	600A/S2/P/1217	600A/S3/P/1219
250	600A/S1/1214	600A/S2/P/1215	600A/S3/P/1220
275			600A/S3/P/1221
300	600A/S1/1223	600A/S2/P/1196	600A/S3/P/1222

# DIFFERENTIAL RELAY PROTECTION

Busbar Differential Scheme



Earth Fault Differential Scheme



[metrosil.com](http://metrosil.com)

For more information surrounding our varistors for high impedance relays, please contact the Metrosil team:

## SALES ENQUIRIES

Tel: +44 (0)161 864 5456

e-mail: [metrosilsales@mimaterials.com](mailto:metrosilsales@mimaterials.com)

## TECHNICAL ENQUIRIES

Tel: +44 (0)161 864 5462

e-mail: [metrosiltech@mimaterials.com](mailto:metrosiltech@mimaterials.com)

a product of  **M&I MATERIALS**