



SERIES 300-A & 600-A VARISTORS

Introduction

This data sheet describes the largest Metrosil voltage dependent resistor discs, having diameters up to 150mm. The product range is concentrated on two basic discs: the 300-A, an annular disc with outer diameter of 75mm and the 600-A, with outer diameter of 150mm. In addition, a range of 400-A (100mm) series discs is available to special order.

Types

Both 300-A and 600-A types can be supplied either as loose discs or as assemblies. The standard assembly utilises a central stud, which holds the discs and their contact plates as necessary for connections and the whole assembly is carefully tightened to a torque, which gives good electrical contact without damaging the discs.

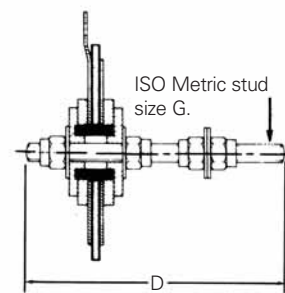
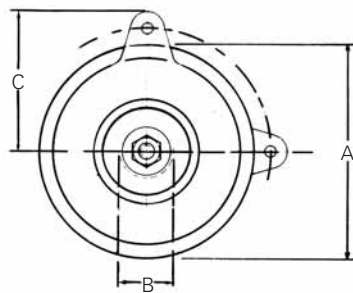
Specification

The data quoted in the table are intended as an indication of the available characteristics. For the larger order quantities, it is advisable to check with Metrosil sales engineers who may suggest an alternative specification better suited to the application. This is particularly the case with 600-A/S discs, which are often designed to customers' requirements.

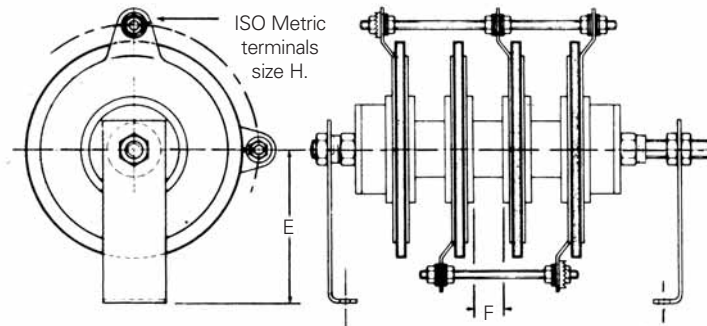
Selection

For guidance in interpreting the data and selecting a suitable device, please refer to the selection and ordering guide, or contact Metrosil sales.

Salient dimensions (mm)		A	B	C	D	E	F	G	H
600-A/S		152	32	101	178	107	19	M12	M6
300-A/S	Up to 310V d.c.	76	33	62	82	55	19	M10	M5
	Over 310V d.c.	76	33	62	114	55	19	M10	M5



300-A/S1 & 600-A/S1

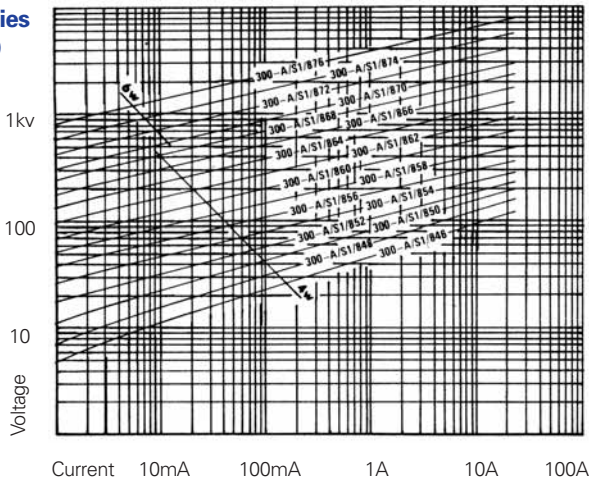


300-A/S4P & 600-A/S4/P

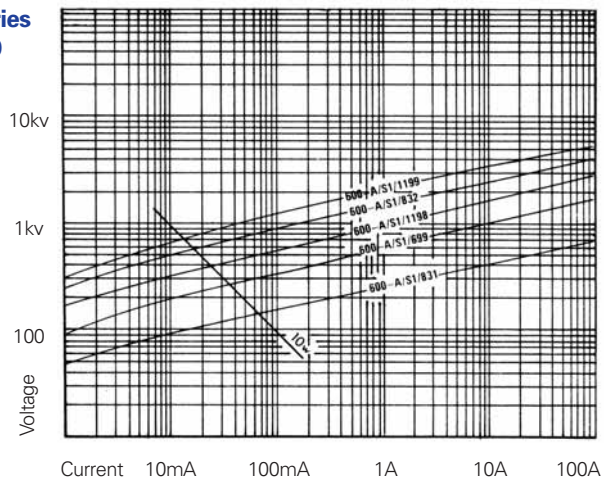


Voltage/Current Characteristics

Series 300



Series 600





METROSIL SERIES 300-A & 600-A VARISTORS

February 2012

Selection Chart

Type Number	Nominal dimensions		Continuous operating conditions			Typical Protection Levels		Rated Power Dissipation	Rated Energy Absorption
	Diameter (mm)	Thickness (mm)	Rated Voltage		Current at dc voltage (mA \pm 50%)	Peak Volts	Peak Amps	W	J
			dc (V)	ac (V)					
600-A/S1/1199	152	25.4	680	600	10	5,000	50	20	69900
600-A/S1/832	152	19.1	550	480	15	4,000	50	20	52400
600-A/S1/1198	152	12.7	400	350	20	2,500	50	20	34900
600-A/S1/699	152	7.6	250	220	30	1,500	50	20	21000
600-A/S1/831	152	3.8	125	110	50	750	50	20	10500
300-A/S1/876	76	26.2	1000	850	2.5	5,400	5	10	15800
300-A/S1/875	76	20.3	875	740	2.9	4,300	5	10	12300
300-A/S1/874	76	21.8	770	650	3.4	3,800	5	10	13200
300-A/S1/873	76	18.8	670	570	3.8	3,300	5	10	11300
300-A/S1/872	76	17.7	600	500	4.7	2,800	5	10	10700
300-A/S1/871	76	15.2	515	440	5	2,350	5	8	9200
300-A/S1/870	76	12.7	450	380	5.6	2,350	10	8	7700
300-A/S1/869	76	10.2	400	335	4.7	2,100	10	8	6400
300-A/S1/868	76	10.2	350	290	4.7	1,900	10	8	6100
300-A/S1/867	76	9.1	310	260	6	1,650	10	8	5500
300-A/S1/866	76	9.1	275	230	6.3	1,400	10	8	5500
300-A/S1/865	76	6.9	240	205	7	1,200	10	8	4200
300-A/S1/864	76	6.9	220	185	8.2	1,100	15	8	4200
300-A/S1/863	76	6.4	190	160	9.3	1,000	15	8	3800
300-A/S1/862	76	5.2	165	140	9.4	850	15	6	3100
300-A/S1/861	76	5.2	145	125	12	720	15	6	3100
300-A/S1/860	76	5.2	125	110	14	580	15	6	3100
300-A/S1/859	76	3.7	110	95	14	505	15	6	2200
300-A/S1/858	76	3.7	97	83	18	400	10	6	2200
300-A/S1/857	76	3.7	85	72	20	350	10	6	2200
300-A/S1/856	76	2.4	75	63	24	295	10	6	1500
300-A/S1/855	76	2.4	65	55	25	265	10	6	1500
300-A/S1/854	76	2.4	57	48	30	235	10	6	1500
300-A/S1/853	76	1.5	51	44	37	205	10	6	910
300-A/S1/852	76	1.5	45	38	45	180	10	6	910
300-A/S1/851	76	1.5	40	35	50	170	10	6	910
300-A/S1/850	76	1.5	36	27	60	155	10	6	910
300-A/S1/849	76	1.5	31	27	60	140	10	6	910
300-A/S1/848	76	1.5	27	23	62	125	10	6	910
300-A/S1/847	76	1.5	24	21	70	105	10	6	910
300-A/S1/846	76	1.5	22	19	94	90	10	6	910
300-A/S1/845	76	1.5	19	16	95	85	10	6	910

SILICON CARBIDE SURGE PROTECTION