



SERIES 100-A & 175-A VARISTORS

Introduction

This data sheet describes the two disc series 100-A and 175-A, which are based on annular discs having diameters of 26mm and 45mm respectively.

Types

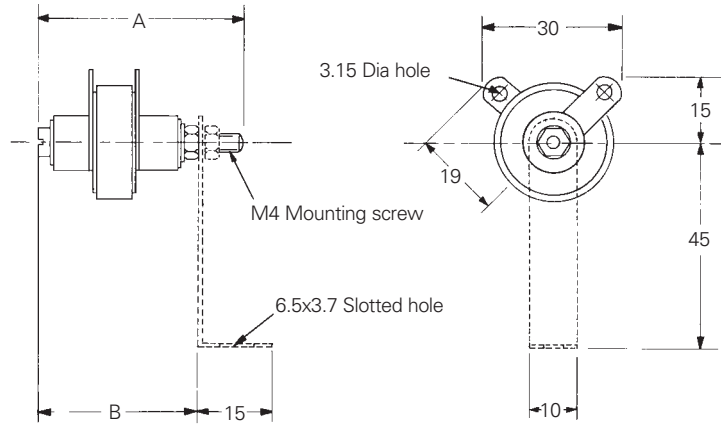
Both series can be supplied loose or as complete assemblies designated 100-A/S and 175-A/S. These are illustrated with their outline dimensions. Type 100-A/S can be supplied as multiple disc units with discs connected in series, parallel, star or delta configuration. Brackets can be supplied if required.

Specification

The table presents the data for the most commonly used discs. The capacities of the types can be extended by using assemblies having more than one disc, connected as appropriate to the application.

Selection

For guidance in interpreting the data and selecting a suitable device, please refer to the selection and ordering guides.



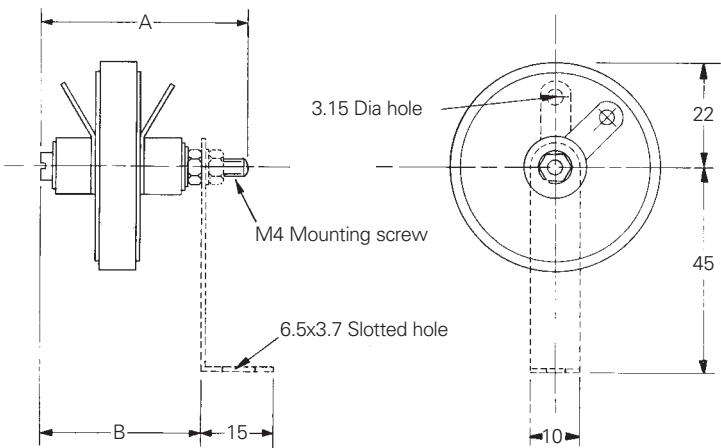
100-A/S1 Assembly

Dimension A

Up to 275 Vdc 43mm Over 275 Vdc 53mm

Dimension B

Disc thickness + 27mm



175-A/S1 Assembly

Dimension A

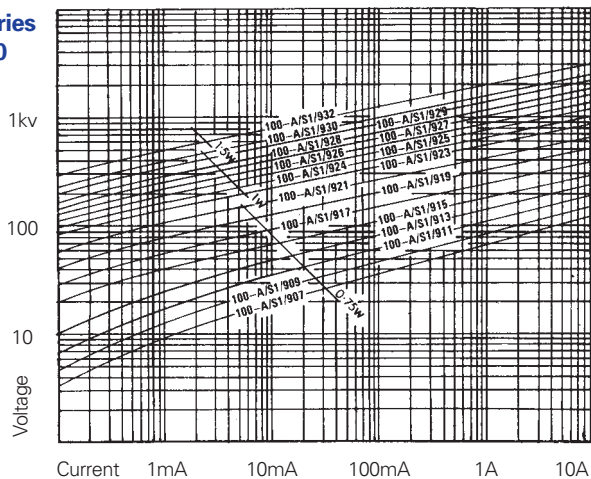
Up to 275 Vdc 43mm Over 275 Vdc 53mm

Dimension B

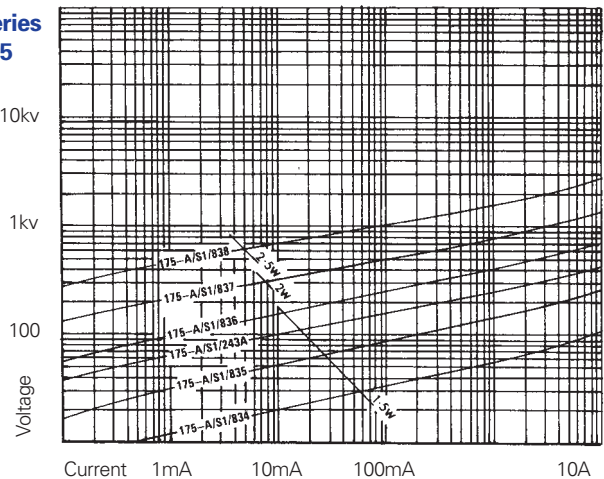
Disc thickness + 27mm

Voltage/Current Characteristics

Series 100



Series 175





SERIES 100-A & 175-A VARISTORS

Selection Chart

Type number	Nominal dimensions		Continuous operating conditions			Typical protection levels		Rated power dissipation	Rated energy absorption
	Diameter (mm)	Thickness (mm)	Rated voltage		Current at dc voltage (mA±50%)	Peak volts	Peak amps	W	J
			dc (V)	ac (V)					
175-A/S1/838	45	15.3	500	425	2.2	2300	5	3.0	3420
175-A/S1/837	45	7.6	250	210	3.5	1300	7.5	2.5	1710
175-A/S1/836	45	4.1	125	110	6.0	650	7.5	2.0	910
175-A/S1/243A	45	3.8	90	75	7.0	350	5	2.0	850
175-A/S1/835	45	1.9	50	43	14.0	200	5	2.0	420
175-A/S1/834	45	1.8	25	22	28.0	100	5	2.0	400
100-A/S1/933	26	16.8	600	500	1.2	2900	2	2.0	1170
100-A/S1/932	26	14.5	515	440	1.2	2500	2	2.0	1050
100-A/S1/931	26	13.0	450	380	1.4	2250	2	2.0	920
100-A/S1/930	26	11.5	400	335	1.1	1950	2	1.5	800
100-A/S1/929	26	9.6	350	290	1.3	1650	2	1.5	690
100-A/S1/928	26	9.1	310	260	1.4	1500	3	1.5	640
100-A/S1/927	26	7.9	275	230	1.6	1350	3	1.5	550
100-A/S1/926	26	6.9	240	205	1.7	1150	3	1.5	490
100-A/S1/925	26	6.9	220	185	2.2	1000	3	1.75	470
100-A/S1/924	26	5.6	190	160	2.3	860	3	1.25	400
100-A/S1/923	26	5.1	165	140	2.5	720	3	1.25	350
100-A/S1/922	26	4.3	145	125	3.0	640	3	1.25	300
100-A/S1/921	26	3.8	125	110	2.5	550	3	1.0	260
100-A/S1/920	26	3.3	110	95	2.6	480	3	1.0	230
100-A/S1/919	26	2.8	97	83	3.1	380	2	1.0	200
100-A/S1/918	26	3.3	85	72	3.9	330	2	1.0	230
100-A/S1/917	26	2.8	75	63	4.3	290	2	1.0	200
100-A/S1/916	26	2.4	65	55	5.0	250	2	0.85	165
100-A/S1/915	26	2.0	57	48	6.0	210	2	0.85	140
100-A/S1/914	26	1.7	50	43	7.0	190	2	0.85	115
100-A/S1/913	26	1.4	44	37	7.5	170	2	0.85	100
100-A/S1/912	26	1.5	39	34	9.0	150	2	0.85	105
100-A/S1/911	26	1.3	35	30	9.0	130	2	0.85	90
100-A/S1/910	26	1.1	31	27	13.0	115	2	0.85	80
100-A/S1/909	26	1.6	27	23	14.0	100	2	0.85	110
100-A/S1/908	26	1.4	24	21	15.0	90	2	0.85	100
100-A/S1/907	26	1.2	22	19	19.0	80	2	0.85	85

SILICON CARBIDE SURGE PROTECTION